



Plated Head Screw



ALL 304SS



ALL 316SS

High Torque Hose Clamps

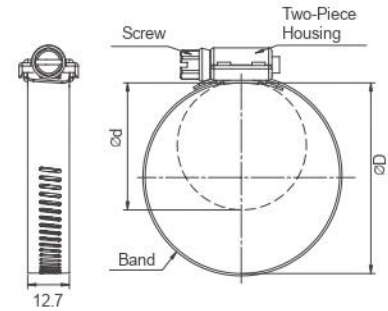
- In accordance with SAE standard J1508 Type "F"
- Under RoHS & REACH Standard
- The housing structure is extremely stronger than others.
- The punched perforated band enables clamps to install easily and hold strongly, and it is flexible for various conditions
- Multi-range hose clamps
- Material and clamping range are stamped on clamps
- Larger diameters are available on request
- Various packaging are available on request

High Torque Hose Clamps

- 1/2" (12.7 mm) Band Width



1/2" (12.7mm) band width High Torque Hose Clamps are designed for industrial applications of heavy-duty or high pressure. The tightening torque is over 10 Nm.



Plated Head Screw	0.6t x 12.7w Band	Housing	5/16" (7.9mm) Hex Head Screw
	304 S.S.	304 S.S.	Plated Carbon Steel

ALL 300SS	0.6t x 12.7w Band	Housing	5/16" (7.9mm) Hex Head Screw
	304 S.S.	304 S.S.	304 S.S.

ALL 316SS	0.6t x 12.7w Band	Housing	5/16" (7.9mm) Hex Head Screw
	316 S.S.	316 S.S.	316 S.S.

SAE SIZE	Clamping Range				Part Number		
	inch		mm		Plated Head Screw	ALL 300 S.S.	ALL 316 S.S.
	Min.	Max.	Min.	Max.	10.0 Nm	10.0 Nm	10.0 Nm
10	9/16	1-1/16	14	27	Y238-12.7W027	Y248-12.7W027	Y258-12.7W027
12	11/16	1-1/4	17	32	Y238-12.7W032	Y248-12.7W032	Y258-12.7W032
16	11/16	1-1/2	17	38	Y238-12.7W038	Y248-12.7W038	Y258-12.7W038
20	13/16	1-3/4	21	44	Y238-12.7W044	Y248-12.7W044	Y258-12.7W044
24	1	2	25	51	Y238-12.7W051	Y248-12.7W051	Y258-12.7W051
28	1-1/4	2-1/4	32	57	Y238-12.7W057	Y248-12.7W057	Y258-12.7W057
32	1-1/2	2-1/2	38	63	Y238-12.7W063	Y248-12.7W063	Y258-12.7W063
36	1-3/4	2-3/4	44	70	Y238-12.7W070	Y248-12.7W070	Y258-12.7W070
40	2	3	51	76	Y238-12.7W076	Y248-12.7W076	Y258-12.7W076
44	2-1/4	3-1/4	57	82	Y238-12.7W082	Y248-12.7W082	Y258-12.7W082
48	2-1/2	3-1/2	64	89	Y238-12.7W089	Y248-12.7W089	Y258-12.7W089
52	2-3/4	3-3/4	70	95	Y238-12.7W095	Y248-12.7W095	Y258-12.7W095
56	3	4	76	102	Y238-12.7W102	Y248-12.7W102	Y258-12.7W102
60	3-1/4	4-1/4	82	108	Y238-12.7W108	Y248-12.7W108	Y258-12.7W108
64	3-1/2	4-1/2	89	114	Y238-12.7W114	Y248-12.7W114	Y258-12.7W114
72	4	5	102	127	Y238-12.7W127	Y248-12.7W127	Y258-12.7W127
80	4-1/2	5-1/2	114	140	Y238-12.7W140	Y248-12.7W140	Y258-12.7W140
88	5	6	127	152	Y238-12.7W152	Y248-12.7W152	Y258-12.7W152
96	5-1/2	6-1/2	140	165	Y238-12.7W165	Y248-12.7W165	Y258-12.7W165
104	6	7	152	178	Y238-12.7W178	Y248-12.7W178	Y258-12.7W178